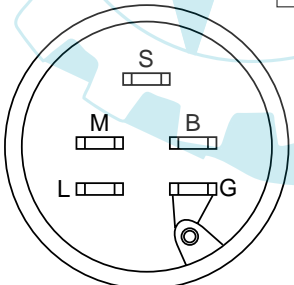
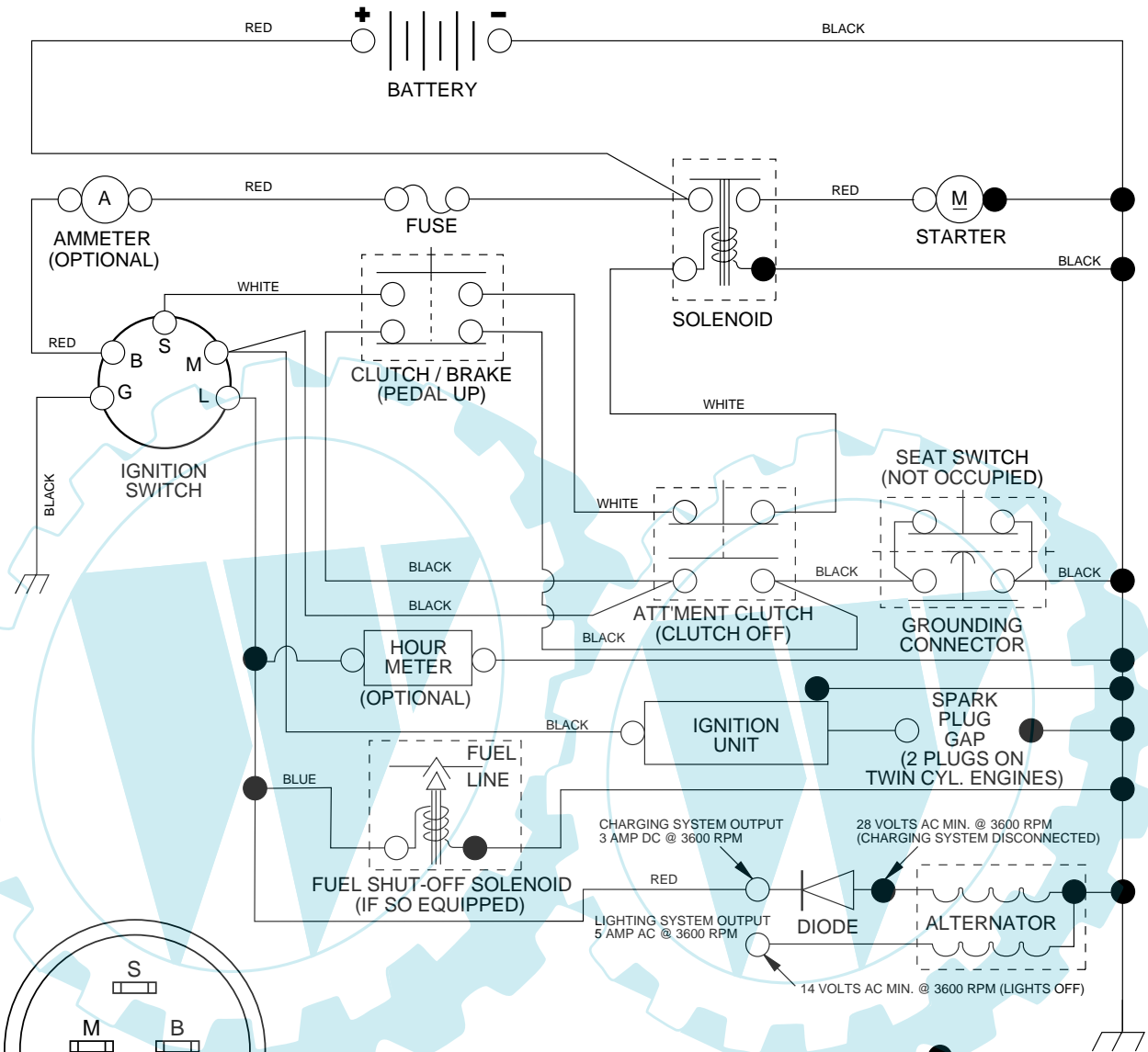


**TRACTOR - MODEL NO. 12536 (BA12536A), PRODUCT NO. 964 77 45-00
SCHEMATIC**



IGNITION SWITCH

POSITION	CIRCUIT
OFF	M + G
ON	B + L
START	B + S + L

WIRING INSULATED CLIPS
NOTE: IF WIRING INSULATED CLIPS WERE REMOVED FOR SERVICING OF UNIT, THEY SHOULD BE REPLACED TO PROPERLY SECURE YOUR WIRING.

NON-REMOVABLE CONNECTIONS

REMOVABLE CONNECTIONS

REPAIR PARTS

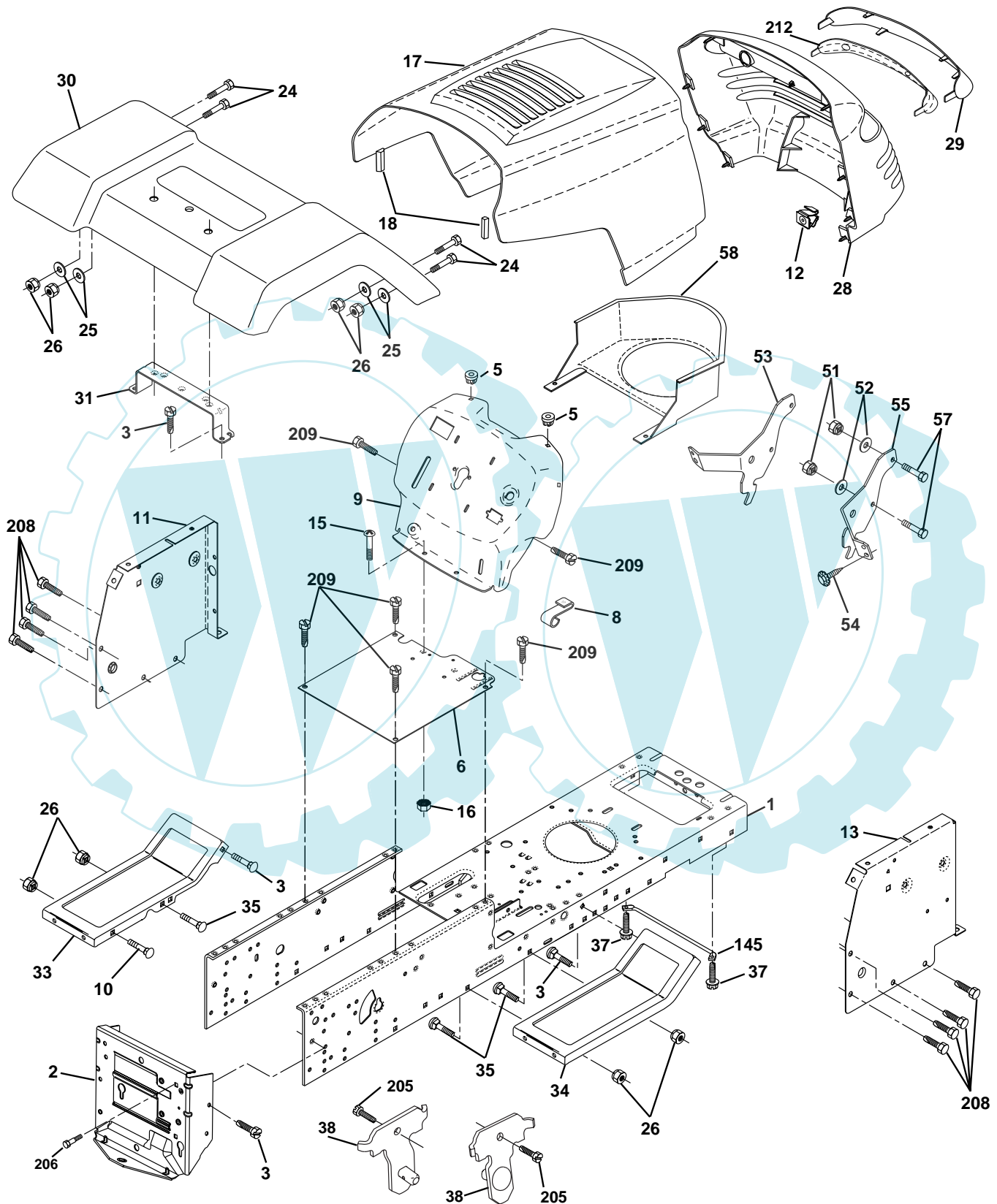
TRACTOR - MODEL NO. 12536 (BA12536A), PRODUCT NO. 964 77 45-00
ELECTRICAL

KEY NO.	PART NO.	DESCRIPTION
1	532 16 34-65	Battery 12 Volt 25 AMP
2	874 76 04-12	Bolt Hex Hd 1/4-20unc X 3/4
8	532 17 66-89	Box Battery
16	532 17 61-38	Switch Interlock Push-In
24	532 12 47-80	Cable Battery 6 Ga 11" red
25	532 14 61-47	Cable Battery 6 Ga 44" red w/16 wire
26	532 17 51-58	Fuse 20 AMP
27	873 51 04-00	Nut Keps Hex 1/4-20 Unc
28	532 12 47-73	Cable Ground 6 Ga 12" black
29	532 12 13-05	Switch Plunger Nc Gray
30	532 17 55-67	Switch Ign
33	532 14 04-01	Key Ign Molded Generic
40	532 17 97-30	Harness Ign.
41	871 11 04-08	Bolt Blk Fin Hex 1/4 - 20 x 1/2
42	532 13 15-63	Cover Terminal Red
43	532 17 88-61	Solenoid
48	532 14 08-44	Adapter Ammeter Rectangular
52	532 14 19-40	Protection Wire Loop
90	532 18 04-49	Cover Terminal Battery

NOTE: All component dimensions given in U.S. inches.
1 inch = 25.4 mm.

REPAIR PARTS

TRACTOR - MODEL NO. 12536 (BA12536A), PRODUCT NO. 964 77 45-00
CHASSIS AND ENCLOSURES



REPAIR PARTS

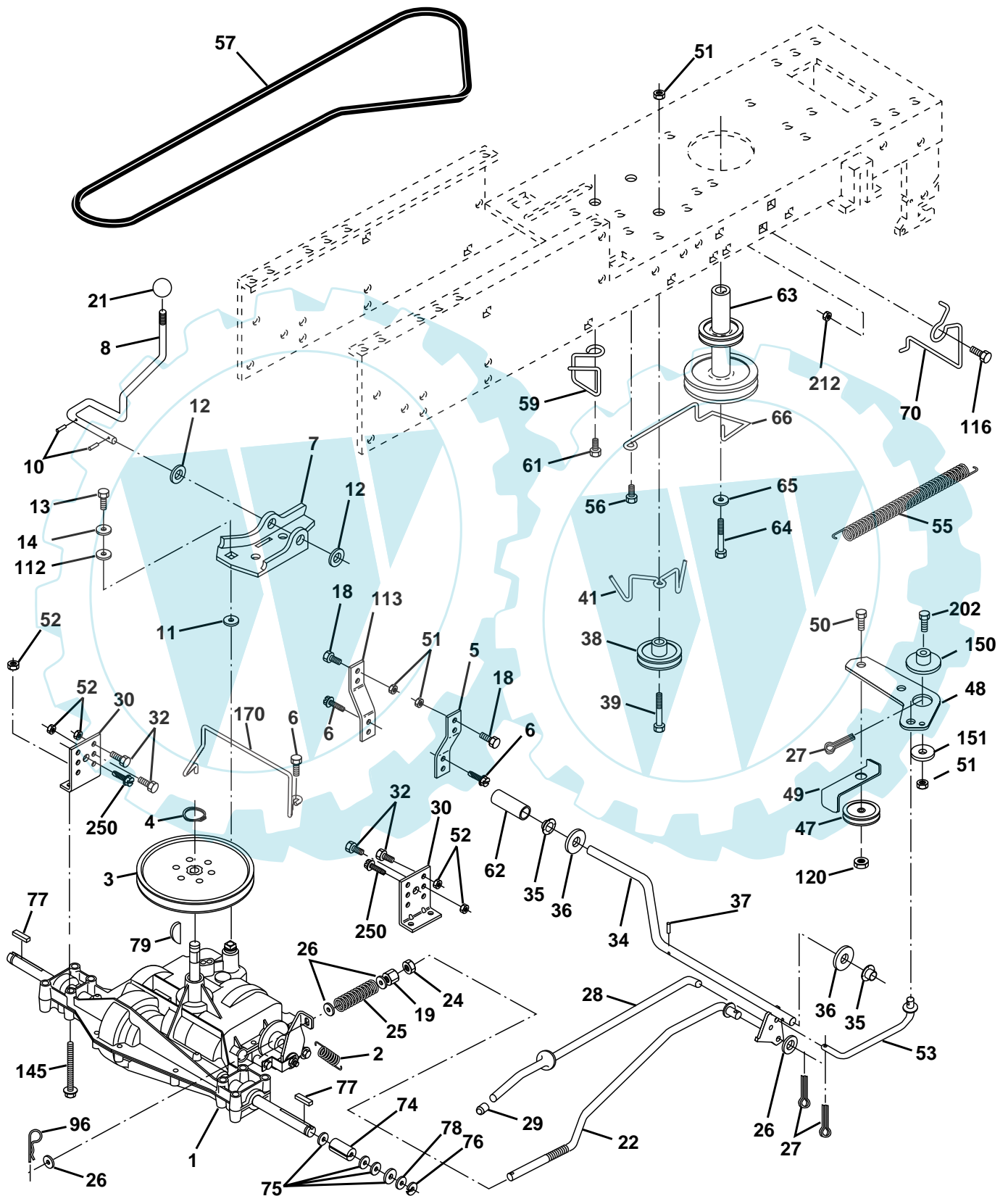
TRACTOR - MODEL NO. 12536 (BA12536A), PRODUCT NO. 964 77 45-00
CHASSIS AND ENCLOSURES

KEY NO.	PART NO.	DESCRIPTION
1	532 17 46-20	Chassis Stamping
2	532 17 65-54	Drawbar
3	817 06 06-12	Screw 3/8-16x3/4
5	532 15 52-72	Bumper Hood/Dash
6	532 18 25-59	Saddle
8	532 12 64-71	Clip Insulator
9	532 17 22-43	Dash P/L
10	872 14 06-08	Bolt Carriage 3/8-16 x 1
11	532 17 49-96	Panel Dash Lh
12	532 14 56-60	Clip Tinnerman
13	532 18 17-19	Panel Dash Rh
15	874 18 05-12	Screw Mach Trhd 5/16-18 Unc x 3/4
16	873 51 05-00	Nut Keps 5/16-18 Unc
17	532 16 35-57	Hood LT/PL Husqvarna
18	532 12 69-38	Bumper Hood
24	874 78 06-16	Bolt Fin Hex 3/8-16 Unc x 1 Gr 5
25	819 13 13-12	Washer 13/32 X 13/16 X 12 Ga
26	873 80 06-00	Nut Lock Hex W/Ins 3/8-16 Unc
28	532 17 97-80	Grille/Lens
29	532 18 25-36	Lens LT/PL
30	532 18 25-35	Fender Footrest STLT Pnt
31	532 13 66-19	Bracket Support Fender
33	532 18 11-93	Footrest LH
34	532 18 11-94	Footrest RH
35	872 11 06-06	Bolt Rdhd 3/8-16 x 3/4
37	817 49 05-08	Screw Thdrol 6/16-18 x 1/2 TYT
38	532 17 57-10	Bracket, Asm. Pivot, Mower Rear
51	873 80 04-00	Nut Lock Hex W/Ins 1/4-20
52	819 09 14-16	Washer 9/32 x 7/8 x 16 Ga.
53	532 14 46-97	Bracket Grille LH
54	532 16 14-64	Screw Hex Wshd 8-18 x 7/8
55	532 14 46-96	Bracket Grille RH
57	874 78 04-12	Bolt Hex 1/4-20 x 3/4
58	532 15 01-27	Air Duct Engine P/L
145	532 15 65-24	Rod Pivot Chassis/Hood
205	817 49 06-08	Screw Thdrol 3/8-16 x 1/2
206	532 17 01-65	Bolt Shoulder 5/16-18 TT
208	817 67 06-08	Screw Thdrol 3/8-16 x 1/2
209	817 00 06-12	Screw Hexwsh Thdr 3/8-16 x 3/4
212	532 15 64-94	Insert Lens Reflect
--	532 00 54-79	Plug Button

NOTE: All component dimensions given in U.S. inches
1 inch = 25.4 mm

REPAIR PARTS

TRACTOR - MODEL NO. 12536 (BA12536A), PRODUCT NO. 964 77 45-00
DRIVE



REPAIR PARTS

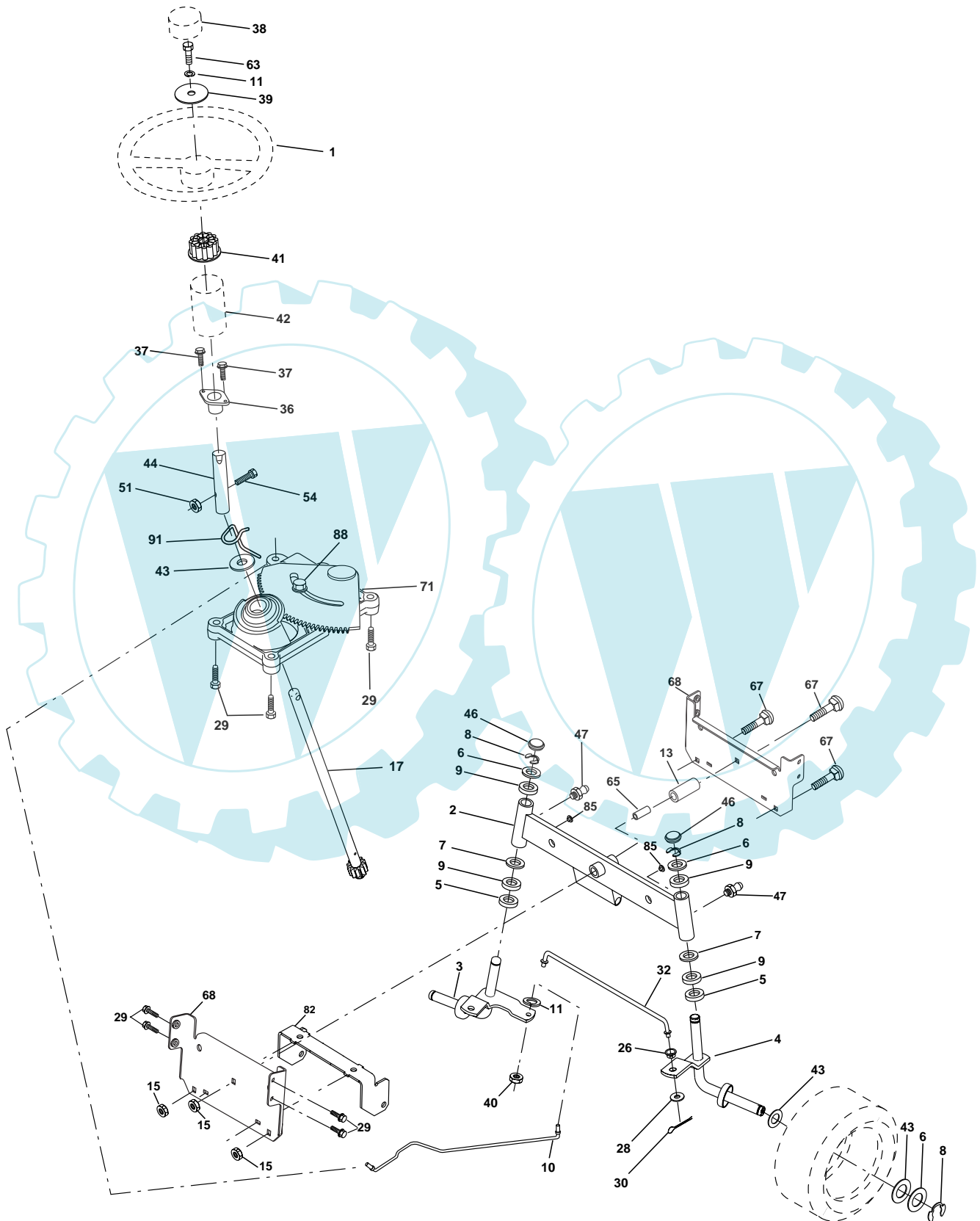
**TRACTOR - MODEL NO. 12536 (BA12536A), PRODUCT NO. 964 77 45-00
DRIVE**

KEY PART NO. NO.	DESCRIPTION	KEY PART NO. NO.	DESCRIPTION
1	----- Transaxle, Peerless 206-545C (Order Parts From Transaxle Manufacturer)	51	873 68 06-00 Nut Crownlock 3/8-16 Unc
2	532 14 66-82 Spring Return Brake T/a Zinc	52	873 68 05-00 Nut Crownlock 5/16-18 Unc
3	532 12 36-66 Pulley Transaxle 18" tires	53	532 10 57-10 Link Clutch
4	812 00 00-28 Ring Retainer#5100-62	55	532 10 57-09 Spring Return Clutch 6 75
5	532 12 15-20 Strap Torque 30 Degrees	56	817 06 06-20 Screw 3/8-16 x 1-1/4
6	817 06 05-12 Screw Thdrol 5/16-18 X 3/4 TYT	57	532 13 08-01 V-Belt Ground Drive 95 25
7	532 16 22-40 Plate Bracket Shift Saddle	59	532 16 96-91 Keeper Belt Span Ctr
8	532 13 16-79 Rod Shift Saddle	61	817 12 06-14 Screw 3/8-16 x .875
10	876 02 04-16 Pin Cotter 1/8 X 1 Cad	62	532 12 48-72 Cover Pedal
11	532 10 57-01 Washer Plate Shf 388 Sq Hole	63	532 18 02-19 Engine Pulley LT/YT
12	819 15 12-16 Washer 15/32 x 3/4 x 16 Ga.	64	871 17 07-64 Bolt Hex
13	874 55 04-12 Bolt 1/4-28 Unf Gr 8 W/Patch	65	810 04 07-00 Washer Lock Hvy Hlcl Spr 7/16
14	810 04 04-00 Washer Lock Hvy Helical 1/4	66	532 15 47-78 Keeper Belt Engine Foolproof
18	874 78 06-16 Bolt, Fin Hex 3/8-16 UNC x 1 Gr. 5	70	532 18 02-18 Guide Belt Mower Drive RH
19	873 80 06-00 Nut Lock 3/8-16 Unc	74	532 13 70-57 Spacer Axle
21	532 10 69-33 Knob	75	532 12 17-49 Washer 25/32 X 1 1/4 X 16 Ga
22	532 13 08-04 Rod Brake Blk Zinc 26 840	76	812 00 00-01 E-ring#5133-75
24	873 35 06-00 Nut Hex Jam 3/8-16 Unc	77	532 12 35-83 Key Square 2 0 X 1845/ 1865
25	532 10 68-88 Spring Rod Brake 2 00 Zinc	78	532 12 17-48 Washer 25/32 X 1-5/8 X 16 Ga
26	819 13 13-16 Washer 13/32 X 13/16 X 16 Ga	79	532 12 50-96 Key Woodruff #9 3/16 x 3/4
27	876 02 04-12 Pin Cotter 1/8 X 3/4 Cad	96	532 12 47-88 Retainer Spring 1"
28	532 17 57-65 Rod Brake Parking LT/YT	112	819 09 12-10 Washer 9/32 x 3/4 x 10 Ga.
29	532 07 16-73 Cap Brake Parking Black	113	532 12 72-85 Strap Torque LT
30	532 17 49-73 Bracket Mtg Transaxle	116	872 14 06-08 Bolt Rdhd Sq Neck 3/8-16 x 1
32	874 76 05-12 Bolt Hex Hd 5/16-18unc X 3/4	120	873 90 06-00 Nut Lock Flg. 3/8-16
34	532 17 55-78 Shaft Asm Pedal Foot	145	874 49 05-40 Bolt Hex Flg Hd 5/16-18 Gr 5
35	532 12 01-83 Bearing Nylon Blk 629 Id	150	532 17 54-56 Spacer Retainer
36	819 21 16-16 Washer 21/32 X 1 X 16 Ga	151	819 13 32-10 Washer 13/32 x 2 x 10 Ga.
37	532 12 49-63 Pin Roll 3/16 X 1"	170	532 17 83-94 Keeper Belt T/A
38	532 17 91-14 Pulley Composite	202	872 11 06-14 Bolt Carr Sh 3/8-16 x 1-3/4 Gr 5
39	874 76 06-48 Bolt Fin Hex 3/8-16 unc X 3	212	532 14 52-12 Nut Hex Flg Lock
41	532 17 55-56 Keeper Belt Idler Flat	250	817 06 06-12 Screw 3/8-16 x .75
47	532 12 77-83 Pulley Idler V Groove Plastic		
48	532 15 44-07 Bellcrank Clutch Grnd Drv Stl		
49	532 12 32-05 Retainer Belt Style Spring		
50	874 76 06-24 Bolt Hex Hd 3/8-16unc X 1-1/2		

NOTE: All component dimensions given in U.S. inches
1 inch = 25.4 mm

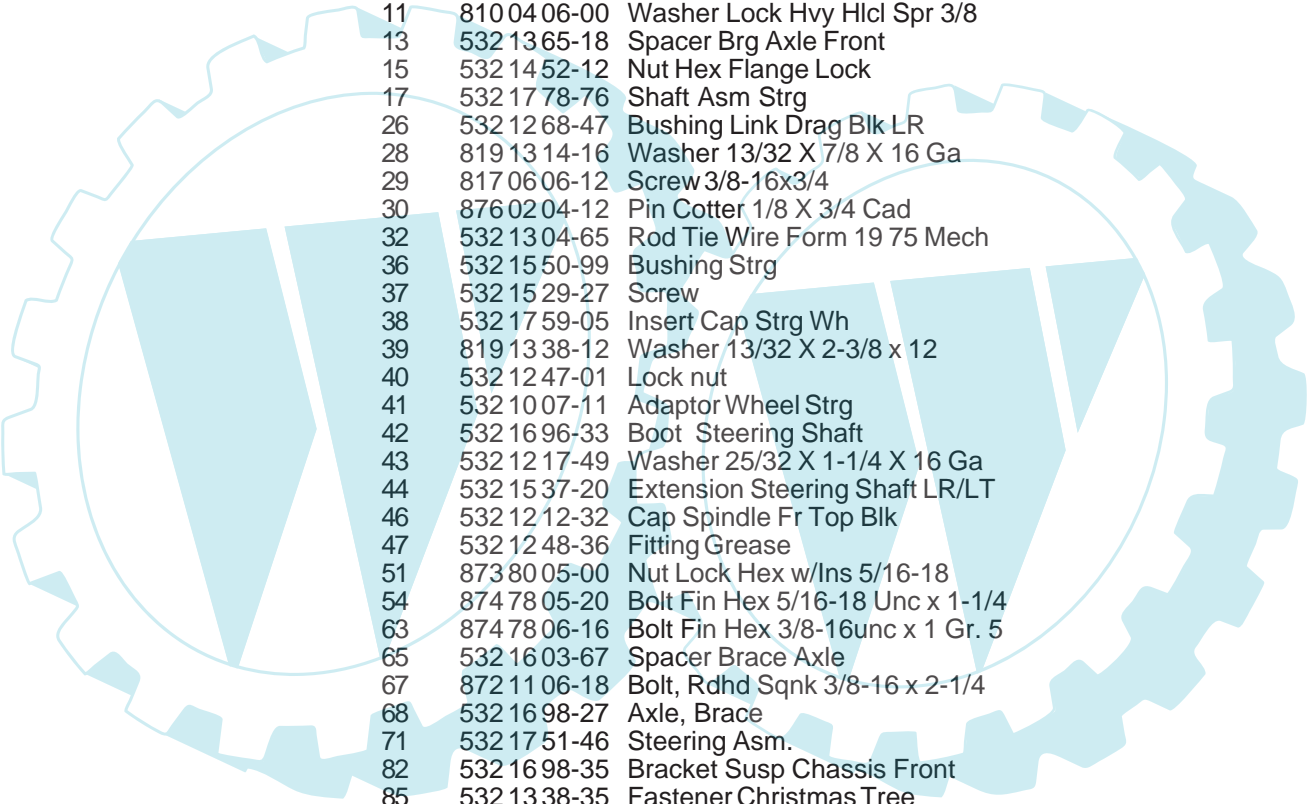
REPAIR PARTS

TRACTOR - MODEL NO. 12536 (BA12536A), PRODUCT NO. 964 77 45-00
STEERING ASSEMBLY



REPAIR PARTS

TRACTOR - MODEL NO. 12536 (BA12536A), PRODUCT NO. 964 77 45-00
STEERING ASSEMBLY

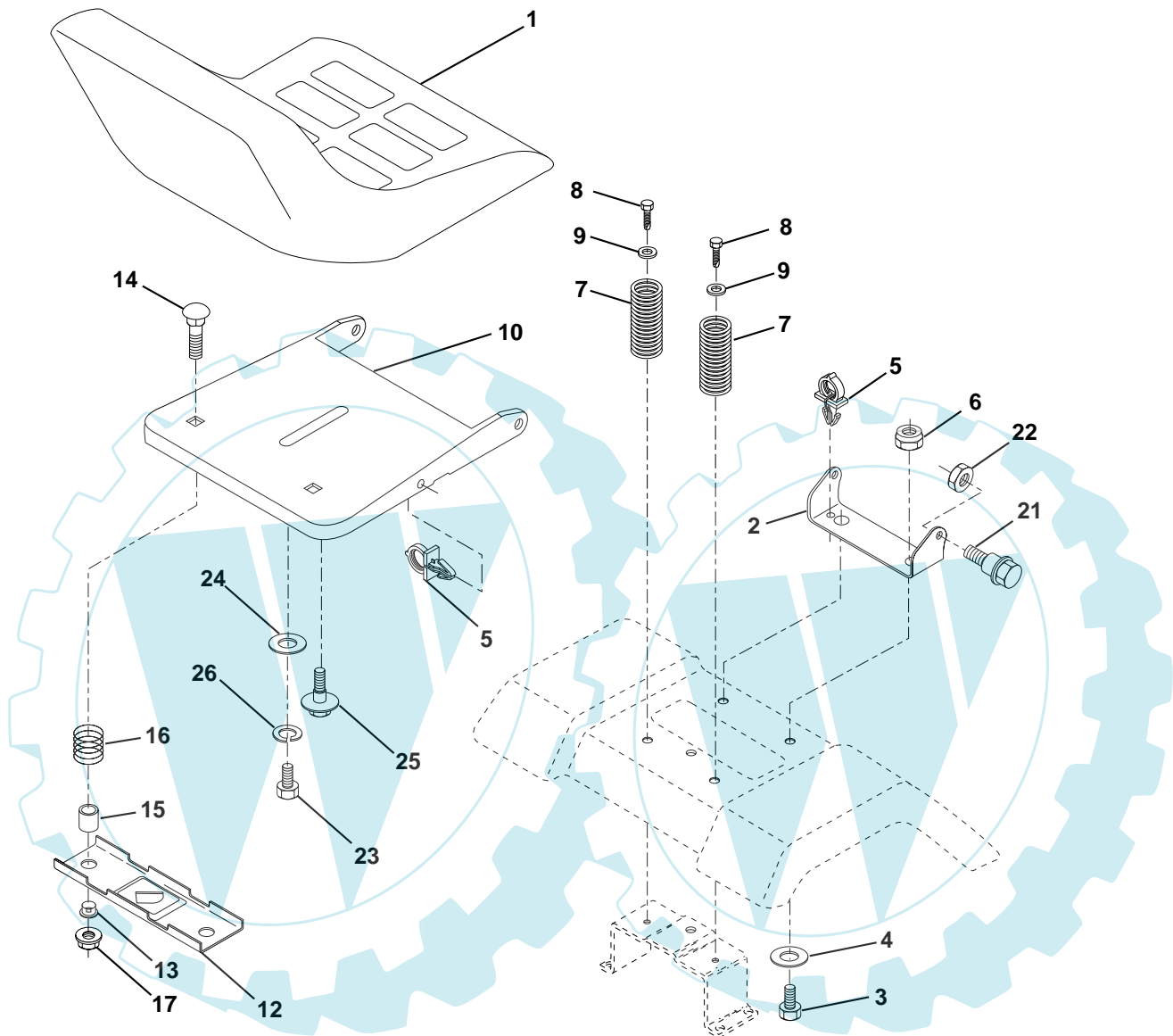


KEY NO.	PART NO.	DESCRIPTION
1	532 17 59-04	Wheel Steering
2	532 17 51-31	Axle Asm
3	532 16 98-40	Spindle Asm LH
4	532 16 98-39	Spindle Asm RH
5	532 12 49-31	Bearing Race Thrust Harden
6	532 12 17-48	Washer 25/32 X 1-5/8 X 16 Ga
7	819 27 20-16	Washer 27/32 X 1-1/4 X 16 Ga
8	812 00 00-29	Ring Klip #t5304-75
9	532 12 49-37	Bearing Col Strg Blk
10	532 17 51-21	Link Drag
11	810 04 06-00	Washer Lock Hvy Hlcl Spr 3/8
13	532 13 65-18	Spacer Brg Axle Front
15	532 14 52-12	Nut Hex Flange Lock
17	532 17 78-76	Shaft Asm Strg
26	532 12 68-47	Bushing Link Drag Blk LR
28	819 13 14-16	Washer 13/32 X 7/8 X 16 Ga
29	817 06 06-12	Screw 3/8-16x3/4
30	876 02 04-12	Pin Cotter 1/8 X 3/4 Cad
32	532 13 04-65	Rod Tie Wire Form 19 75 Mech
36	532 15 50-99	Bushing Strg
37	532 15 29-27	Screw
38	532 17 59-05	Insert Cap Strg Wh
39	819 13 38-12	Washer 13/32 X 2-3/8 x 12
40	532 12 47-01	Lock nut
41	532 10 07-11	Adaptor Wheel Strg
42	532 16 96-33	Boot Steering Shaft
43	532 12 17-49	Washer 25/32 X 1-1/4 X 16 Ga
44	532 15 37-20	Extension Steering Shaft LR/LT
46	532 12 12-32	Cap Spindle Fr Top Blk
47	532 12 48-36	Fitting Grease
51	873 80 05-00	Nut Lock Hex w/Ins 5/16-18
54	874 78 05-20	Bolt Fin Hex 5/16-18 Unc x 1-1/4
63	874 78 06-16	Bolt Fin Hex 3/8-16unc x 1 Gr. 5
65	532 16 03-67	Spacer Brace Axle
67	872 11 06-18	Bolt, Rdhd Sqnk 3/8-16 x 2-1/4
68	532 16 98-27	Axle, Brace
71	532 17 51-46	Steering Asm.
82	532 16 98-35	Bracket Susp Chassis Front
85	532 13 38-35	Fastener Christmas Tree
88	532 17 51-18	Bolt Shoulder 7/16-20
91	532 17 55-53	Clip Steering

NOTE: All component dimensions given in U.S. inches.
1 inch = 25.4 mm.

REPAIR PARTS

TRACTOR - MODEL NO. 12536 (BA12536A), PRODUCT NO. 964 77 45-00
SEAT ASSEMBLY



KEY NO.	PART NO.	DESCRIPTION
1	532 1274-27	Seat
2	532 1405-51	Bracket Pivot Seat 8 720
3	871 1106-16	Bolt Fin Hex 3/8-16unc X 1
4	819 1316-10	Washer 13/32 X 1 X 10 Ga
5	532 1450-06	Clip Push-In
6	8738006-00	Nut Hex w/Ins. 3/8-16 Unc
7	532 1241-81	Spring Seat Cprsn 2 250 Blk Zi
8	8170006-16	Screw 3/8-16 X 1-1/2
9	819 1316-14	Washer 13/32 X 1 X 14 Ga.
10	532 1748-94	Pan Seat
12	532 1212-46	Bracket Mounting Switch
13	532 1212-48	Bushing Snap Blk Nyl 50 Id

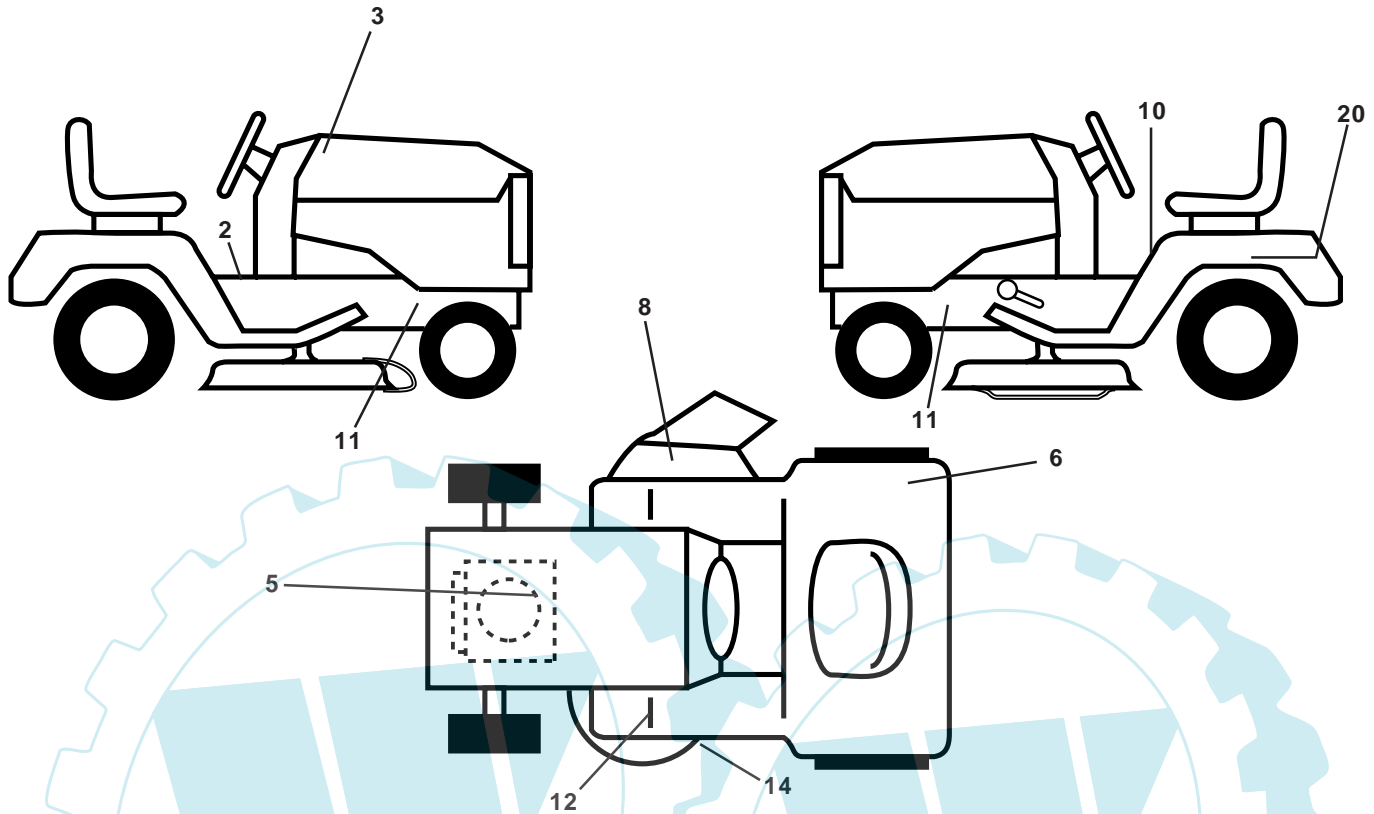
KEY NO.	PART NO.	DESCRIPTION
14	8720504-12	Bolt Rdhd Sqnk 1/4-20x1-1/2
15	532 1343-00	Spacer Split 28x 96 Yel Zinc
16	532 1212-50	Spring Cprsn 1 27 Blk Pnt
17	532 1239-76	Nut Lock 1/4 Lge Flg Gr 5 Zinc
21	532 1718-52	Bolt Shoulder 5/16-18 Unc
22	8738005-00	Nut Hex Lock W/Ins 5/16-18
23	871 1108-14	Bolt Hex
24	819 1719-12	Washer 17/32 X 1-3/16 X 12 Ga.
25	532 1270-18	Bolt Shoulder 5/16-18 X 62
26	8100408-00	Washer Lock Hvy HLCL SPR 1/2

NOTE: All component dimensions given in U.S. inches.
1 inch = 25.4 mm

REPAIR PARTS

TRACTOR - MODEL NO. 12536 (BA12536A), PRODUCT NO. 964 77 45-00

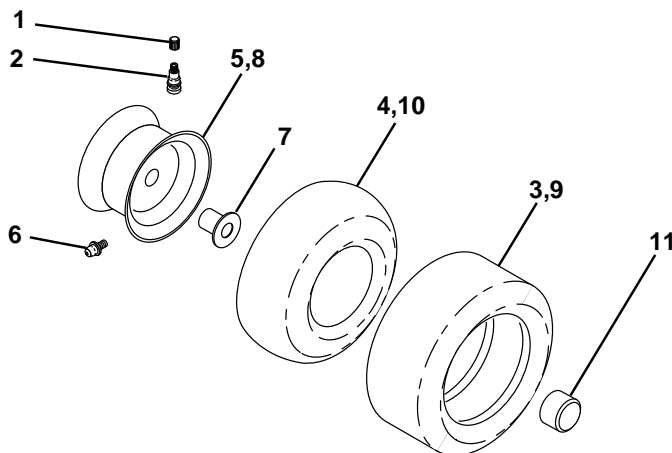
DECALS



KEY NO.	PART NO.	DESCRIPTION
2	532 14 08-37	Decal Saddle Brake Parking
3	532 18 16-64	Decal Hood
5	532 17 08-41	Decal HP Engine
6	532 18 04-32	Decal Europe Stand CE
8	532 14 54-94	Decal Mower Cutfinger
10	532 14 54-98	Decal Read Owner's Manual Syms.
11	532 15 97-36	Decal Chassis Hot Muffler

KEY NO.	PART NO.	DESCRIPTION
12	532 15 97-37	Decal Brake/ Clutch Symbol Lt
14	532 13 68-32	Decal V-Belt Schematic
20	532 14 50-05	Decal Bat Dan/Psn
--	532 16 25-98	Decal Drawbar
--	532 13 83-11	Decal Handle Lift Height Adjust
--	532 18 08-30	Manual Operator's (Euro.)
--	532 18 24-49	Manual Operator's (CZ/SL/HR)
--	532 18 08-36	Manual Parts

WHEELS & TIRES

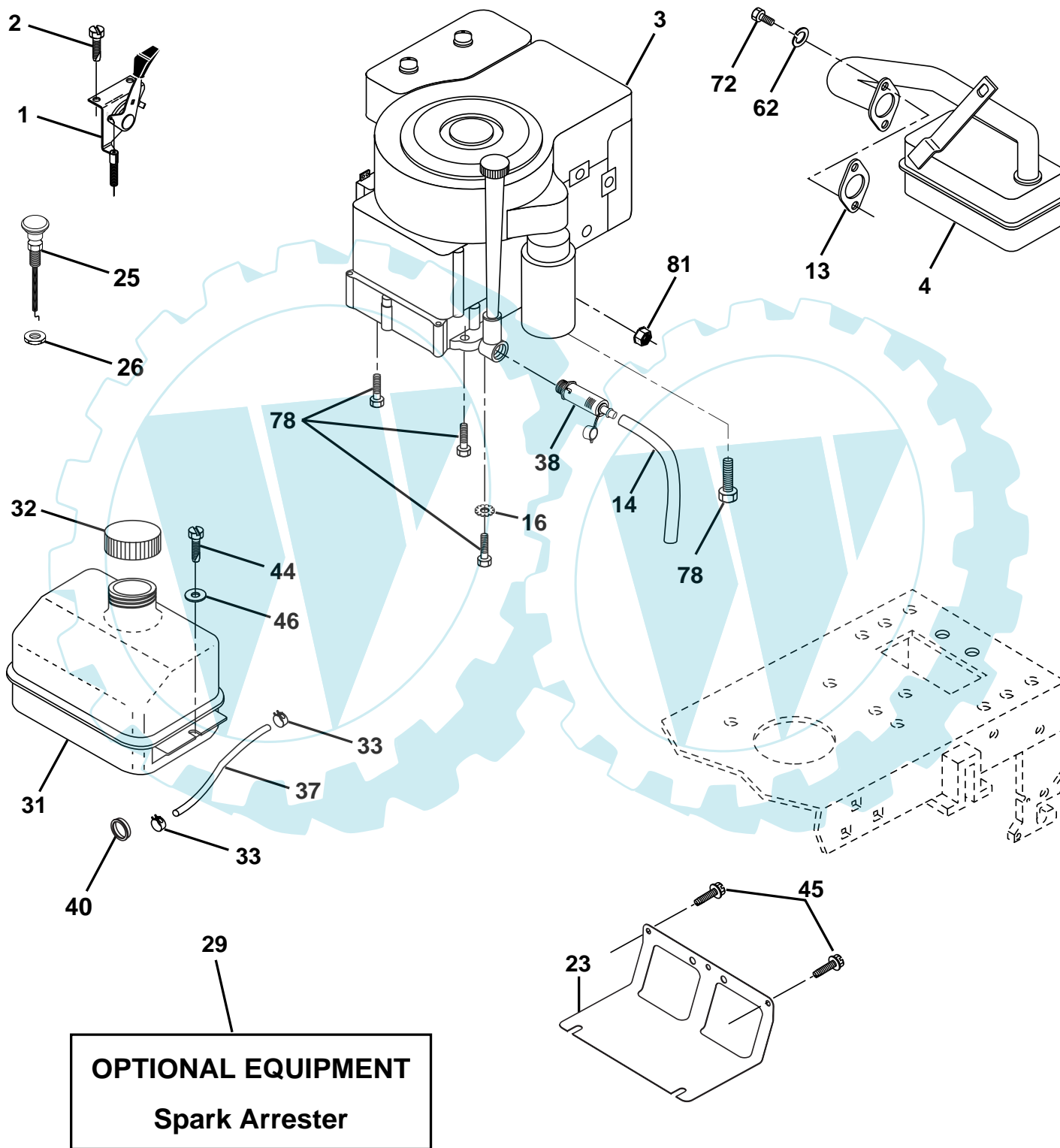


KEY NO.	PART NO.	DESCRIPTION
1	532 05 91-92	Cap Valve Tire
2	532 06 51-39	Stem Valve
3	532 12 41-57	Tire F Ts 15 X 6 0 - 6 Service
4	532 05 99-04	Tube Front (Service Item Only)
5	532 14 14-46	Rim Asm 6" front Silver Service
6	532 12 49-57	Fitting Grease (Front Wheel Only)
7	532 12 49-59	Bearing Flange (Front Wheel Only)
8	532 14 14-47	Rim Asm 8" rear Silver Service
9	532 12 39-69	Tire R Ts 18x9 5-8 C Service
10	532 12 49-26	Tube Rear (Service Item Only)
11	532 17 50-39	Cap Axle Blk 1 50 X 1 00
--	532 14 43-34	Sealant, Tire (10 oz. Tube)

NOTE: All component dimensions given in U.S. inches
1 inch = 25.4 mm

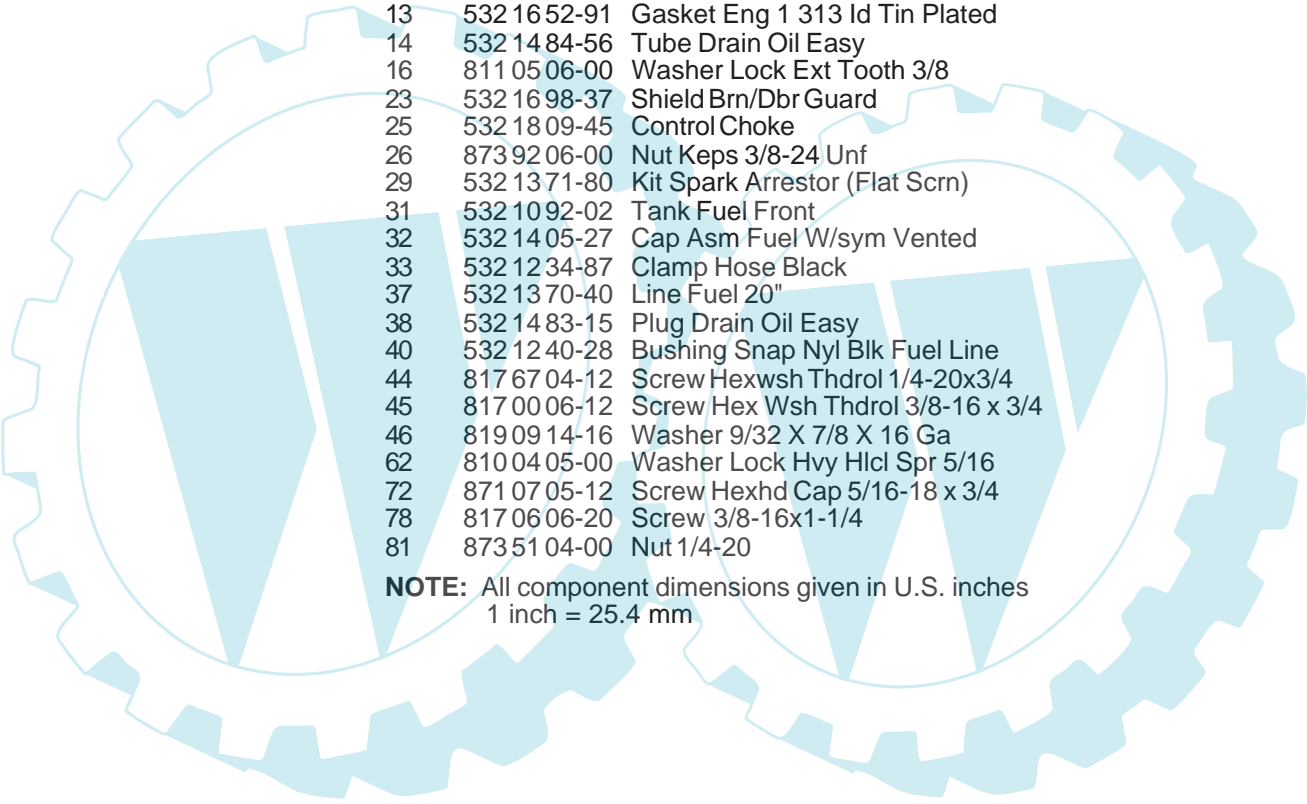
REPAIR PARTS

TRACTOR - MODEL NO. 12536 (BA12536A), PRODUCT NO. 964 77 45-00
ENGINE



REPAIR PARTS

TRACTOR - MODEL NO. 12536 (BA12536A), PRODUCT NO. 964 77 45-00
ENGINE

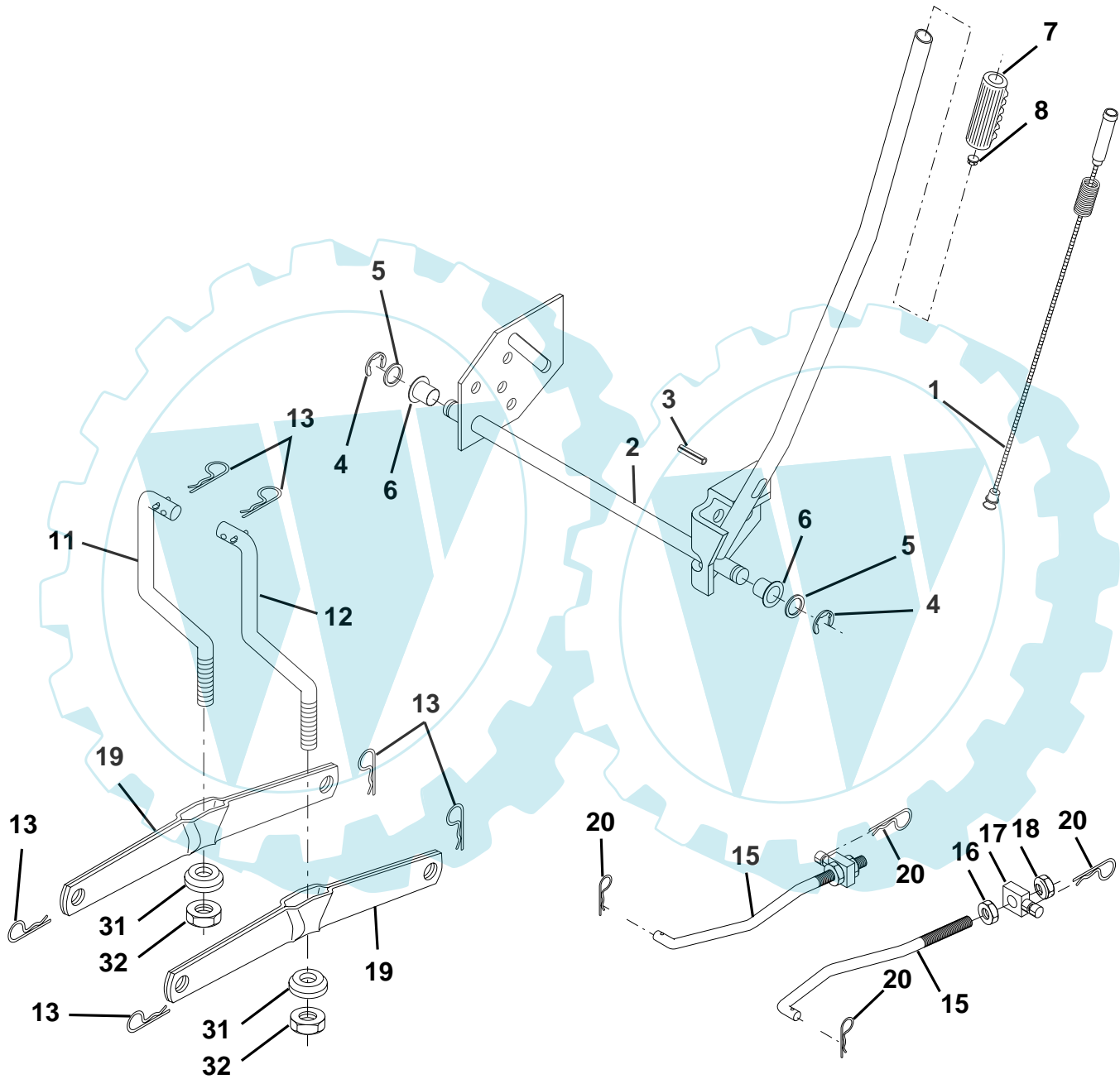


KEY NO.	PART NO.	DESCRIPTION
1	532 17 05-51	Control Th/ch Flag
2	817 72 04-08	Screw Hex Thd Cut 1/4-20 x 1/2
3	-----	Engine B&S Model No. 289707 (Order Parts From Engine Manufacturer)
4	532 13 73-48	Muffler LT B&S 12/12.5/13HP
13	532 16 52-91	Gasket Eng 1 313 Id Tin Plated
14	532 14 84-56	Tube Drain Oil Easy
16	811 05 06-00	Washer Lock Ext Tooth 3/8
23	532 16 98-37	Shield Brn/Dbr Guard
25	532 18 09-45	Control Choke
26	873 92 06-00	Nut Keps 3/8-24 Unf
29	532 13 71-80	Kit Spark Arrestor (Flat Scrn)
31	532 10 92-02	Tank Fuel Front
32	532 14 05-27	Cap Asm Fuel W/sym Vented
33	532 12 34-87	Clamp Hose Black
37	532 13 70-40	Line Fuel 20"
38	532 14 83-15	Plug Drain Oil Easy
40	532 12 40-28	Bushing Snap Nyl Blk Fuel Line
44	817 67 04-12	Screw Hexwsh Thdrol 1/4-20x3/4
45	817 00 06-12	Screw Hex Wsh Thdrol 3/8-16 x 3/4
46	819 09 14-16	Washer 9/32 X 7/8 X 16 Ga
62	810 04 05-00	Washer Lock Hvy Hlcl Spr 5/16
72	871 07 05-12	Screw Hexhd Cap 5/16-18 x 3/4
78	817 06 06-20	Screw 3/8-16x1-1/4
81	873 51 04-00	Nut 1/4-20

NOTE: All component dimensions given in U.S. inches
1 inch = 25.4 mm

REPAIR PARTS

TRACTOR - MODEL NO. 12536 (BA12536A), PRODUCT NO. 964 77 45-00
MOWER LIFT



REPAIR PARTS

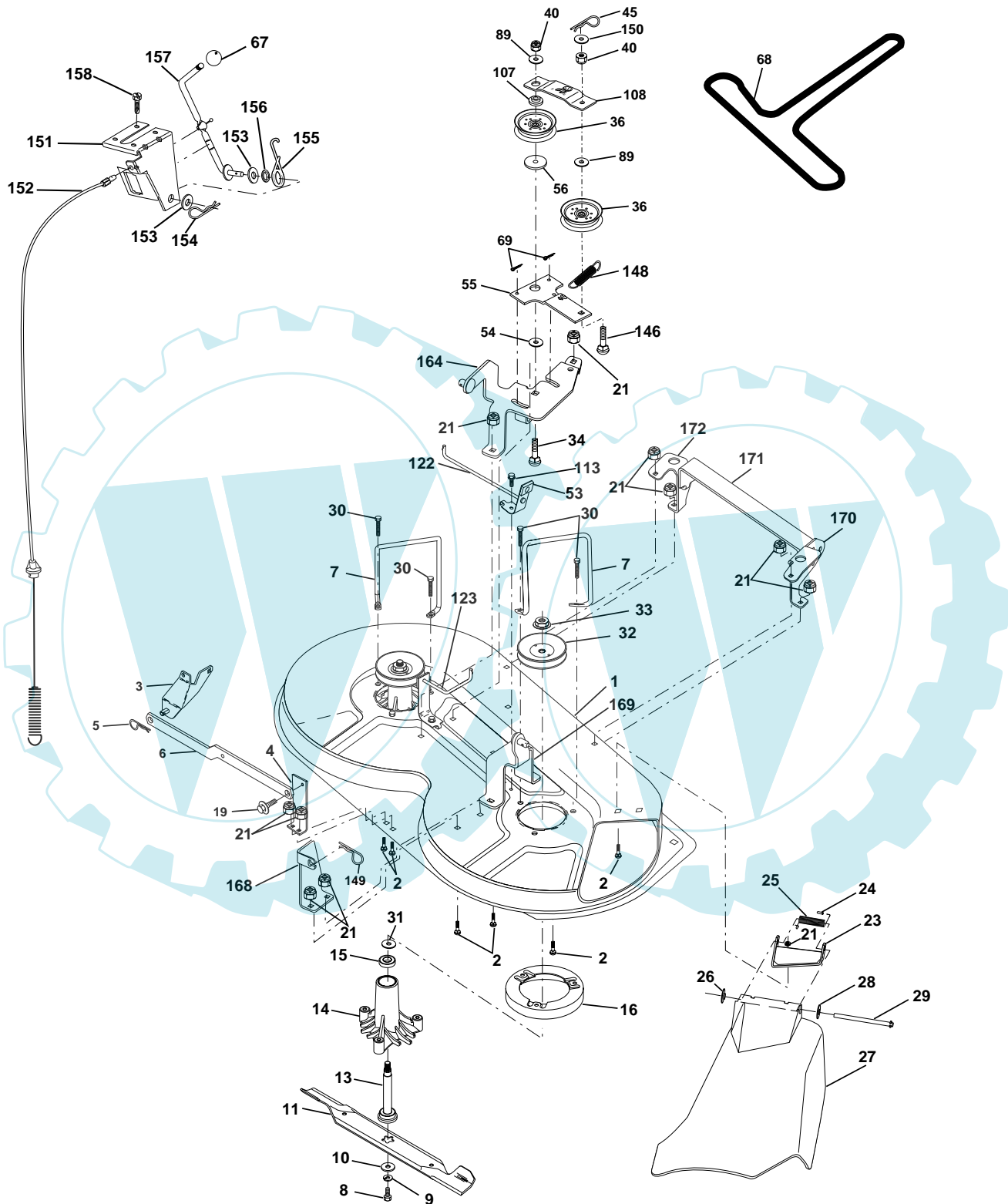
TRACTOR - MODEL NO. 12536 (BA12536A), PRODUCT NO. 964 77 45-00
MOWER LIFT

KEY NO.	PART NO.	DESCRIPTION
1	532 15 94-60	Wire Asm Inner/Spring W/plunger
2	532 15 94-71	Shaft Asm Lift
3	532 10 57-67	Pin Groove
4	812 00 00-02	E Ring #5133-62
5	819 21 16-21	Washer PLTD 21/32 X 1 X 21ga
6	532 12 01-83	Bearing Nylon Blk 629 Id
7	532 10 94-13	Grip Handle
8	532 12 45-26	Button Plunger Black
11	532 13 98-65	Link Lift LH
12	532 13 98-66	Link Lift RH
13	532 12 46-70	Retainer Spring
15	532 17 32-88	Link Front
16	873 35 08-00	Nut Jam Hex 1/2-13 Unc
17	532 17 56-89	Trunnion
18	873 80 08-00	Nut Lock W/wsh 1/2-13unc
19	532 13 98-68	Arm Suspension Rear
20	532 16 35-52	Spring, Retainer
31	532 16 98-65	Bearing Pvt. Lift
32	873 54 06-00	Nut Crownlock 3/8-24

NOTE: All component dimensions given in U.S. inches
1 inch = 25.4 mm

REPAIR PARTS

TRACTOR - MODEL NO. 12536 (BA12536A), PRODUCT NO. 964 77 45-00
MOWER DECK



REPAIR PARTS

TRACTOR - MODEL NO. 12536 (BA12536A), PRODUCT NO. 964 77 45-00
MOWER DECK

KEY NO.	PART NO.	DESCRIPTION	KEY NO.	PART NO.	DESCRIPTION
1	532 17 45-95	Mower Deck Assembly	67	532 10 69-32	Knob RD 3/8-16 Plstc Thd
2	872 14 05-06	Bolt	68	532 18 02-13	Belt
3	532 13 80-17	Bracket Assembly, Sway Bar	69	876 02 03-12	Pin, Cotter 3/32 x 3/4
4	532 17 56-54	Bracket Sway Bar	89	819 13 16-12	Washer 13/32 x 1 x 12 Ga
5	532 12 46-70	Retainer Spring	107	532 13 35-02	Spacer, Retainer
6	532 17 80-24	Bar Sway Deck	108	532 13 35-03	Stiffener, Idler Arm
7	532 14 06-08	Keeper Belt	113	817 49 05-08	Screw Thdrol 5/16-18 x 1/2
8	532 85 08-57	Bolt, Hex 3/8-24 x 1.25 Gr. 8	122	532 17 45-05	Rod, Brake, LH
9	810 03 06-00	Washer, Lock Hvy Hlcl 3/8	123	532 17 45-04	Rod, Brake, RH
10	532 14 02-96	Washer, Hardened	146	532 16 58-91	Bolt Carriage Idler
11	532 13 84-96	Blade, Mower	148	532 16 90-22	Spring Return Idler
13	532 13 76-45	Shaft Assembly, Mandrel,	149	532 16 58-98	Retainer Spring Yellow Zinc
14	532 12 87-74	Housing, Mandrel, Vented	150	819 09 12-16	Washer 9/32 x 3/4 x 16 Ga.
15	532 11 04-85	Bearing, Ball, Mandrel	151	532 16 96-70	Bracket Clutch
16	532 17 44-93	Stripper, Mower Deck	152	532 17 60-79	Cable Clutch
19	532 13 28-27	Bolt, Shoulder	153	532 16 96-74	Washer Flat 3/8" Type B
21	873 68 05-00	Nut Crownlock 5/16-18	154	532 16 96-75	Spring Retainer
23	532 13 66-31	Bracket, Mower Deflector	155	532 16 96-71	Spring Retention Lever
24	532 10 53-04	Cap, Sleeve	156	532 16 96-72	Spacer
25	532 12 37-13	Spring, Torsion, Deflector	157	532 16 96-69	Rod Clutch
26	532 11 04-52	Nut, Push	158	817 72 04-08	Screw Hex Thd Cut 1/4-20 x 1/2
27	532 17 61-62	Shield, Deflector	164	532 17 49-76	Bracket Asm Idler Support
28	819 11 10-16	Washer 11/32 x 5/8 x 16 Ga.	168	532 17 23-77	Bracket Deck Cable
29	532 12 19-80	Rod, Hinge	169	532 17 49-77	Bracket Asm Suspension
30	532 17 39-84	Screw Thdrol	170	532 17 23-59	Bracket Suspension RF
31	532 12 99-63	Washer, Spacer	171	532 16 52-37	Bracket Support Susp. Frt
32	532 15 35-31	Pulley, Mandrel	172	532 17 23-55	Bracket Suspension LF
33	532 17 83-42	Nut, Toplock, Flanged	--	532 13 07-94	Mandrel Assembly (Includes Housing, Shaft and Shaft Hardware Only - Pulley Not Included)
34	872 11 06-14	Bolt Rdhd 3/8-16 x 1-3/4	--	532 18 13-76	Replacement Mower, Complete
36	532 13 14-94	Pulley, Idler, Flat			
40	873 68 06-00	Nut Crownlock 3/8-16			
45	532 12 47-88	Retainer, Spring			
53	532 13 08-40	Brake Assembly			
54	532 13 39-43	Washer, Hardened			
55	532 13 38-40	Idler Arm Assembly			
56	532 16 57-23	Spacer, Retainer			

NOTE: All component dimensions given in U.S. inches
 1 inch = 25.4 mm